

AN INNOVATIVE, TRULY HAND-HELD EXPLOSIVE TRACE DETECTION (ETD) SYSTEM

LIGHTWEIGHT, COMPACT, AND
USER-FRIENDLY DESIGN

LOW COST OF OPERATION -
FEW CONSUMABLES, MINIMAL
MAINTENANCE

SENSITIVE WITH LOW FALSE
ALARM RATE

FAST REAL-TIME DETECTION

APPLICATIONS

- Critical Infrastructure
- Customs and Border Protection
- Defense
- Event Security
- Law Enforcement
- Ports



DETECTRA™ HX swipe sampling system is used for advanced detection scenarios.



Analyzing the sample after the swipe sampling collection.

THE RAPISCAN DETECTRA™ HX IS A LIGHTWEIGHT AND ERGONOMICALLY DESIGNED, LOW COST THREAT DETECTION TOOL IDEAL FOR MILITARY, LAW ENFORCEMENT, EVENT, BORDER AND INFRASTRUCTURE PROTECTION PERSONNEL IN THEIR EFFORTS TO COMBAT TERRORISM.

Combining industry leading, real time Ion Mobility Spectrometry (IMS) technology and sophisticated sampling systems the DETECTRA™ HX provides true hand-held explosive trace detection capabilities.

OPERATIONAL FLEXIBILITY WITH ADVANCED SAMPLING TECHNOLOGY

The Rapiscan DETECTRA™ HX can detect explosive trace in both particulate and vapour form on any surface that may have directly or indirectly absorbed explosive residues. For the most sensitive, accurate and fast detection, a swipe sampling system is included. For scenarios involving large quantities of highly volatile explosives compositions, the DETECTRA™ HX includes a touch-free inhalation sampling method. With its operational flexibility, real-time analysis response, and fast, reliable and specific identification of explosive threats, the DETECTRA™ HX can support a variety of screening scenarios, whether vehicle/people checkpoints, mail screening, cargo, etc.

DETECTS BROAD RANGE OF EXPLOSIVES

The Rapiscan DETECTRA™ HX detects picogram-nanogram quantities of a broad range of common commercial and homemade explosive materials, including nitrates, peroxides, plastic explosives, and their associated taggants. With a low false alarm rate, the DETECTRA™ HX offers increased detection probability. The system is capable of detecting and alarming on, multiple explosive materials within the same sample.

REDUCED TOTAL COST OF OWNERSHIP

Designed to minimize operating costs and increase available uptime, the DETECTRA™ HX requires only two consumables and has zero routine maintenance requirements that are typically associated with ETD's.

REAL TIME DETECTION

The fast start-up time, fully automatic continuous self-calibration, optional continuous, or times sampling mode, and <3 second detection time, all make the DETECTRA™ HX ideal for security situations where both high throughput and high detection probability are required.

EASY-TO-OPERATE

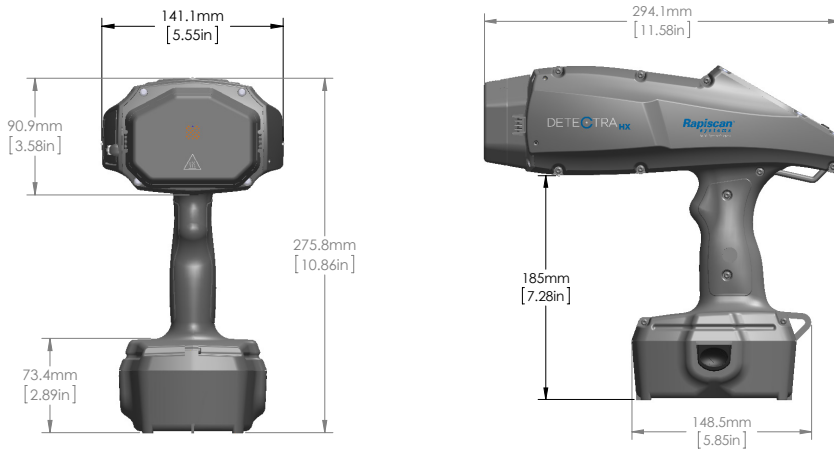
Ready to use in less than 8 minutes from cold, with an automated start-up process, the operating interface and 3-button control, make the DETECTRA™ HX easy to use. Operators can be trained in as little as an hour. Alarms can be configured with audible and/or visual detection indicators, on a LCD screen protected by impact-resistant glass, enabling the DETECTRA™ HX to be used in all light conditions and remain resistant to the scratches, drops, and bumps of everyday use.

EXEMPT FROM US NRC REQUIREMENTS

The DETECTRA™ HX uses a unique ionization source with US Nuclear Regulatory Commission (NRC) Exempt Distribution status that has no end-user radiation licensing requirements for use within the United States. International operators should check with their nuclear regulatory agency for local requirements.

DETECTRA™ HX

Rapiscan[®]
systems
An OSI Systems Company



SPECIFICATIONS

Name and Model	Handheld Explosives Trace Detector model DETECTRA™ HX
Sample Acquisition	Trace particulate and vapour. Contact and non-contact sample collection. Continuous sampling and Timed sampling modes.
Explosives Detected	All major classes of explosives, including but not limited to TNT, C4/RDX, Semtex.
Sensitivity	Picogram - Nanogram level
Scan Time	Continuous sampling mode 3 to 30 seconds
Response Time	1 to 3 seconds
Cold Start-up Time	From 4 to 10 minutes
Operating Temperature	-20°C to +55°C (-4 °F to 131 °F)
Relative Humidity	1 to 100%
Battery Specification	Lithium ion battery fast full charge in 2.5 hours 4 to 6 hours of continuous operation dependent on ambient temperature and battery at 100% charge
Battery Capacity and Voltage	4300mAh at 14.4V
Input Power Requirements	14.4VDC, 4300mAh, 69.3Wh supplied by Rapiscan battery pack
Product Dimensions (with battery pack attached)	Length: 278 mm (11.58 in.) Width: 141 mm (5.55 in.) Height: 271 mm (10.86 in.)
Product Weight	1.6 kg (14.5 lbs) with battery pack
Shipped Dimensions	Length: 508 mm (20 in.) Width: 406.4 mm (16 in.) Height: 203.2 mm (8 in.)
Shipped Packing Weight	6.6 kg (14.5 lbs)

KIT COMPONENTS

The Rapiscan DETECTRA™ HX Hand-held Trace Explosive Detector kit comes standard with the following:

DETECTRA™ HX (1 unit)	Sample Traps (100 count)
Hard Shell Storage Case	Two (2) Confidence Test Pens
Lithium Ion Battery Pack (2)	Reporting Software CD
Battery Charger	Micro USB Cable
Shoulder Strap	DETECTRA™ HX Operator Manual
Dopant Vials (1 x pack of 6)	

Additional component items and consumables are available as needed after initial kit delivery.

AMERICAS, CARIBBEAN

2805 Columbia Street
Torrance,
California
90503

UNITED STATES of AMERICA

Tel: +1 310-978-1457
Fax: +1 310-349-2491

EUROPE, MIDDLE EAST, AFRICA

X-Ray House
Bonehurst Road
Salfords
Surrey RH1 5GG

UNITED KINGDOM

Tel: +44 (0) 870-7774301
Fax: +44 (0) 870-7774302

ASIA

240 Macpherson Road
#07-01 Pines Industrial Building
Singapore
348574

SINGAPORE

Tel: +65-6846-3511
Fax: +65-6743-9915

PRODUCT STANDARDS AND COMPLIANCE

- UL/cUL 61010-1
- ISO 2919:1999
- CE Compliance
- NUREG 1556, V3, R1
- IEC 61010-1
- FCC Title 47 CFR Part 15
- IEC 61326-1
- CB Scheme
- ANSI/HPS N43.8:2008
- Tested to MIL-STD-810

REGULATORY

Subject to dual-use export licensing from U.S. & U.K. and radioactive licensing to destination countries. Some exemptions apply.

With continual development of our products Rapiscan Systems reserves the right to amend specifications without notice. Product pictures are for general reference. Please note that due to US laws and regulations, not all Rapiscan products are available for sale in all countries without restriction. Please contact your Rapiscan Systems sales representative for more information.



Rapiscan Systems is ISO 9001:2008 Certified

sales@rapiscansystems.com
www.rapiscansystems.com